

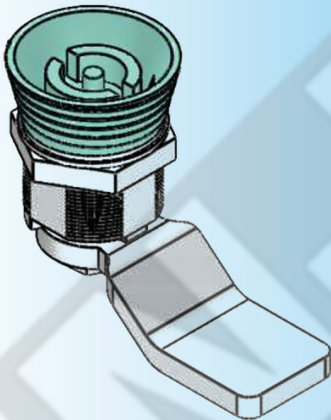
For Product Step File or 3D Model Send a Request Mail To info@nrack.com



Photo View

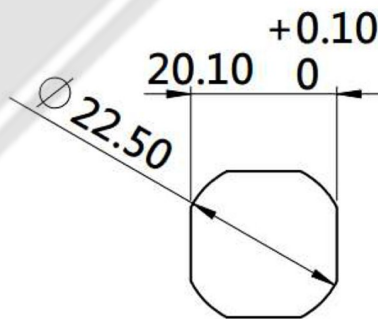
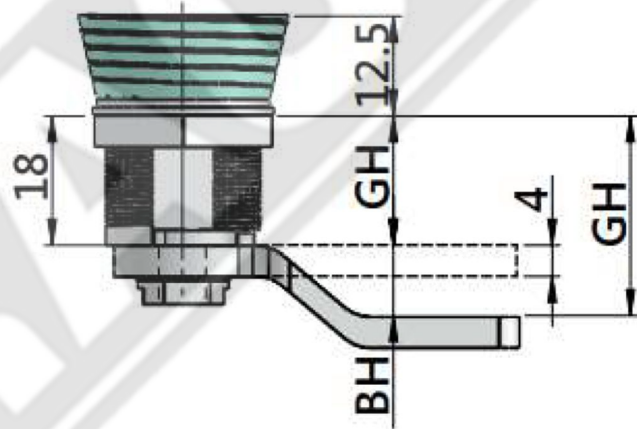
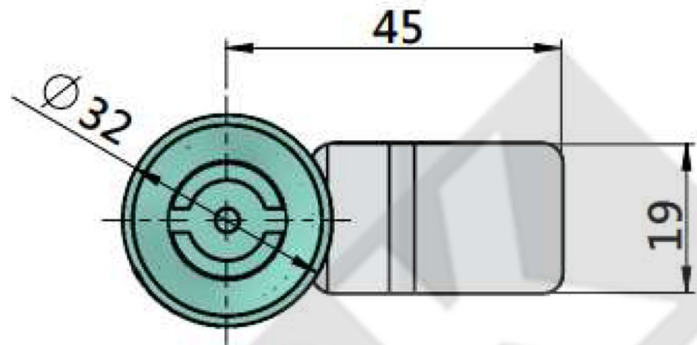


3D Rendered View



MS - 702

- Material: Zinc die-casting body
Zinc plating cam
- Finish: Bluish green, Matt black
powder coated
- Panel thickness: 1~8mm



CUT OUT

GRIPPING HEIGHT (GH)	BENDING HEIGHT (BH)
18	00
25	07